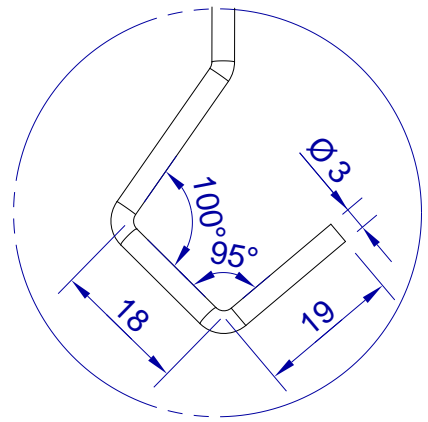
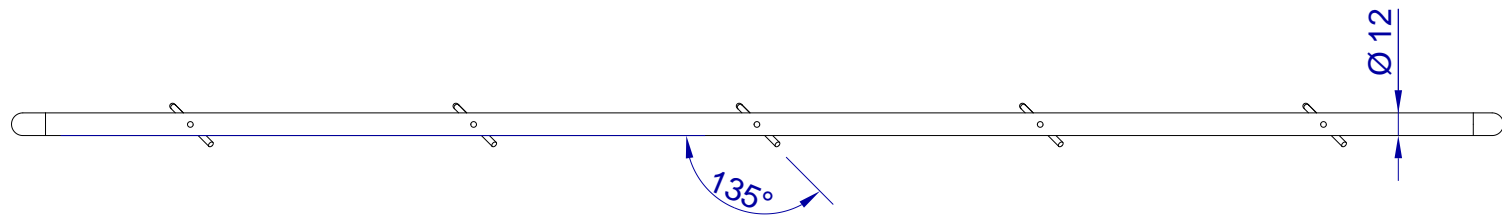
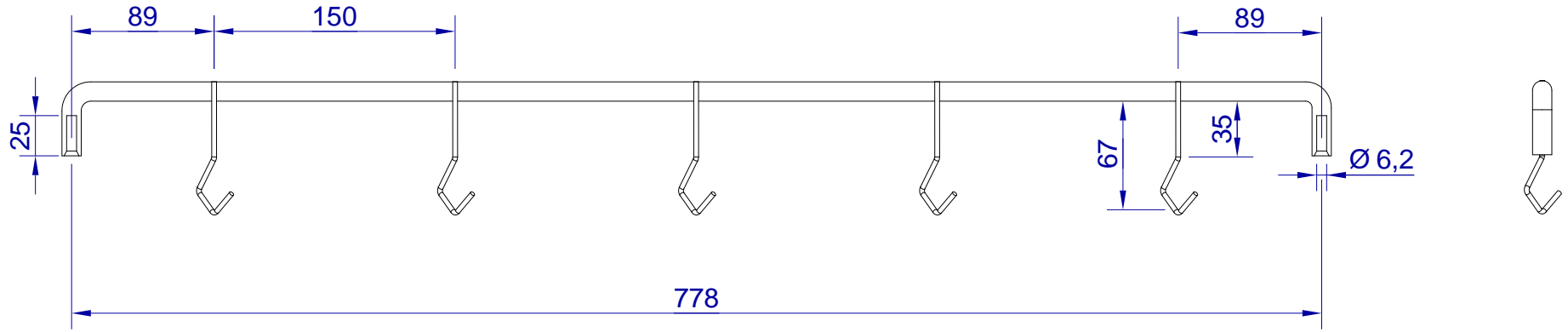



This drawing is HangOn AB property. It can't be reproduced or communicated without our written agreement



	Product no. HCL FS CDV 29110	Weight. 0,77 Kg
	Description Fixed spring wire levels, centered DV	